



# SERVICE PARTS LIST

**BULLETIN NO.**  
**54-10-2700**

SPECIFY CATALOG NO. AND SERIAL NO. WHEN ORDERING PARTS		REVISED BULLETIN	DATE
<b>M18 FUEL™ 1/2" Hole-Hawg®</b>			May 2014
CATALOG NO.	<b>2707-20</b>	STARTING SERIAL NO.	<b>G02A</b>
		WIRING INSTRUCTION <b>SEE PAGE 3</b>	

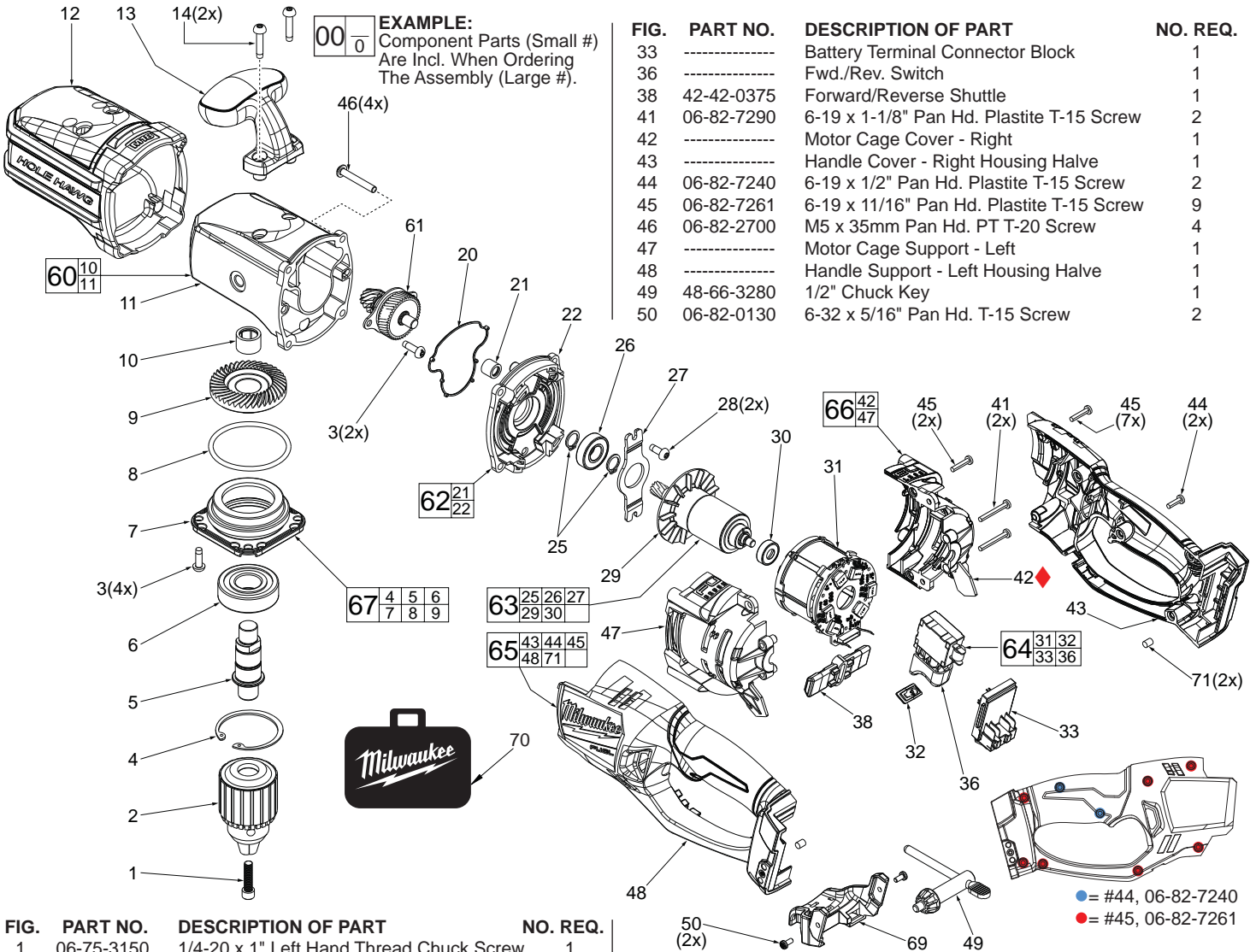
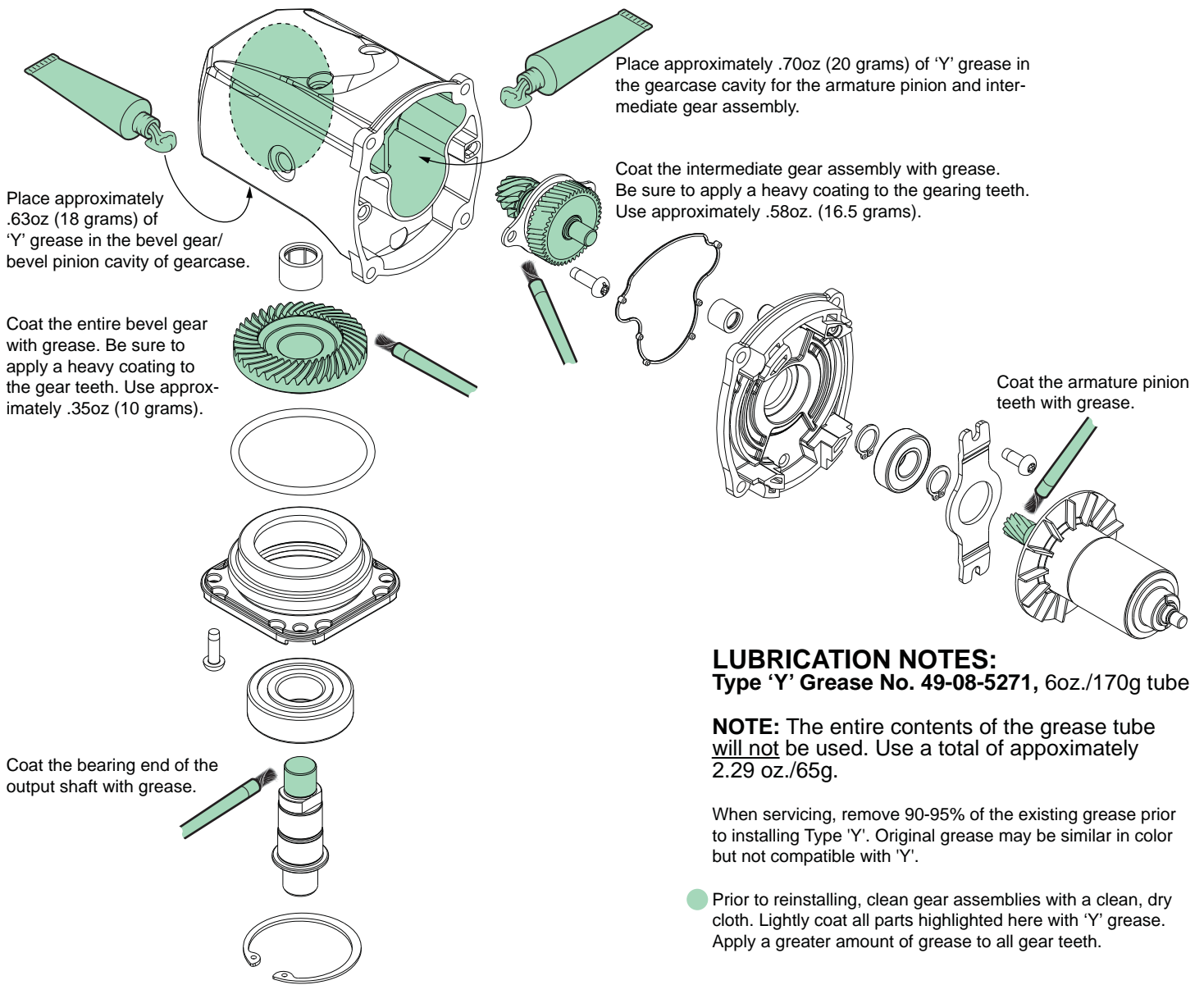


FIG.	PART NO.	DESCRIPTION OF PART	NO. REQ.
1	06-75-3150	1/4-20 x 1" Left Hand Thread Chuck Screw	1
2	48-66-1381	1/2" Chuck	1
3	06-82-5411	10-24 x .625" Pan Hd. Tapt. T-25 Screw	6
4	34-80-2980	Retaining Ring	1
5	38-50-0300	Output Shaft	1
6	02-04-2031	Ball Bearing	1
7	-----	Output Mount Hub	1
8	34-40-2700	O-Ring	1
9	32-05-0045	Bevel Gear	1
10	-----	Needle Bearing	1
11	-----	Gearcase	1
12	45-12-0050	Insulated Boot	1
13	31-44-2717	Top Handle	1
14	05-88-9915	M5 x 25mm DG Pan Hd. T-25 Screw	1
20	43-44-0115	Gasket Seal	1
21	-----	Needle Bearing	1
22	-----	Diaphragm	1
23	23-94-2717	High Voltage Wire (Not Shown, see wiring diagram)	1
24	06-82-0165	M2.5 x 0.45 Tapt. Screw (Not shown, see wiring dia.)	1
25	34-60-0610	Snap Ring	2
26	02-04-1204	Ball Bearing	1
27	-----	Pinion Bearing Plate	1
28	06-82-5314	10-24 x .5" Pan Hd. Taptite T-25 Screw	2
29	-----	Rotor	1
30	02-04-0645	Ball Bearing	1
31	-----	Stator Assembly with PCBA	1
32	-----	LED Assembly	1

FIG.	PART NO.	DESCRIPTION OF PART	NO. REQ.
33	-----	Battery Terminal Connector Block	1
36	-----	Fwd./Rev. Switch	1
38	42-42-0375	Forward/Reverse Shuttle	1
41	06-82-7290	6-19 x 1-1/8" Pan Hd. Plastite T-15 Screw	2
42	-----	Motor Cage Cover - Right	1
43	-----	Handle Cover - Right Housing Halve	1
44	06-82-7240	6-19 x 1/2" Pan Hd. Plastite T-15 Screw	2
45	06-82-7261	6-19 x 11/16" Pan Hd. Plastite T-15 Screw	9
46	06-82-2700	M5 x 35mm Pan Hd. PT T-20 Screw	4
47	-----	Motor Cage Support - Left	1
48	-----	Handle Support - Left Housing Halve	1
49	48-66-3280	1/2" Chuck Key	1
50	06-82-0130	6-32 x 5/16" Pan Hd. T-15 Screw	2

FIG.	PART NO.	DESCRIPTION OF PART	NO. REQ.
59	12-20-2717	Service Nameplate (Not Shown)	1
60	14-30-1005	Gearcase Assembly	1
61	14-29-2000	Intermediate Gear Assembly	1
62	14-13-0030	Diaphragm Assembly	1
63	16-01-2400	Rotor Assembly	1
64	14-20-2717	Electronics Assembly	1
65	31-44-2718	Housing Assembly	1
66	23-16-0285	Motor Cage Assembly	1
67	14-29-0125	Output Assembly	1
69	43-72-0260	Chuck Key Holder Assembly	1
70	48-55-3565	FUEL™ Contractor Bag - Large	1
71	45-30-1000	Rubber Slug	2

**IMPORTANT!**  
To prevent damage to the High Voltage Wire Assembly #23, see service note on page 3 prior to removing the Motor Cage Cover #42.



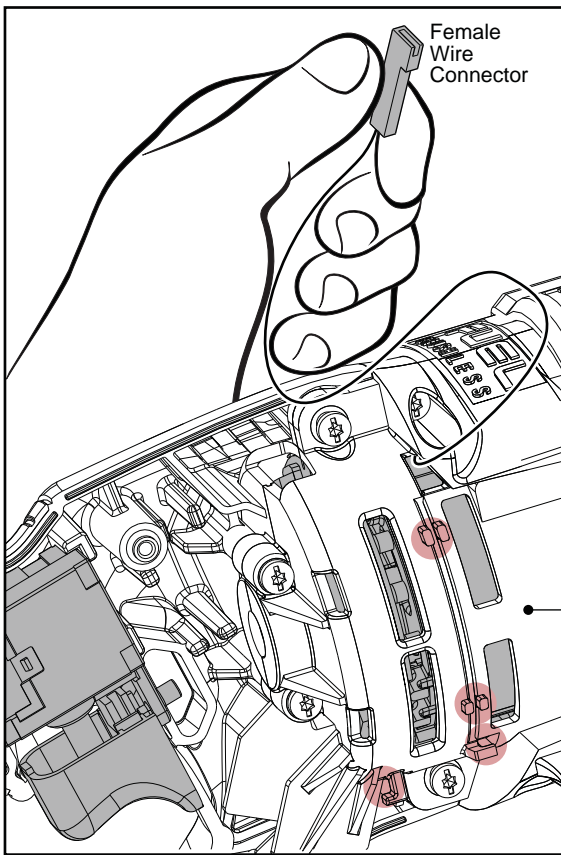
**LUBRICATION NOTES:**  
**Type 'Y' Grease No. 49-08-5271, 6oz./170g tube**

**NOTE:** The entire contents of the grease tube will not be used. Use a total of approximately 2.29 oz./65g.

When servicing, remove 90-95% of the existing grease prior to installing Type 'Y'. Original grease may be similar in color but not compatible with 'Y'.

- Prior to reinstalling, clean gear assemblies with a clean, dry cloth. Lightly coat all parts highlighted here with 'Y' grease. Apply a greater amount of grease to all gear teeth.

SCREW TORQUE SPECIFICATIONS			SEAT TORQUE	
FIG.	PART NO.	WHERE USED	(KG/CM)	(IN/LBS)
1	06-75-3150	Chuck Screw	50-60	3.5-4.5
2	48-66-1381	1/2" Chuck (2707-20 only)	450-500	32-36
3	06-82-5411	Output Assembly	35-50	2.5-3.5
14	05-88-9915	Top Handle	60-65	4.5-5.0
24	06-82-0165	High Voltage Terminal	5	.5
28	06-82-5314	Pinion Bearing Plate	46-58	3.5-4.0
41	06-82-7290	Motor Cage Assembly	12-17	1.0-1.5
44	06-82-7240	Handle Cover	12-17	1.0-1.5
45	06-82-7261	Handle Cover/Motor Cage	12-17	1.0-1.5
46	06-82-2700	Gearcase Assembly	38-45	2.5-3.5
50	06-82-0130	Chuck Key Holder (2607-20 only)	10-14	.75-1.0
68	42-66-0050	7/16" Hex Chuck (2708-20 only)	450-500	32-36



Female Wire Connector

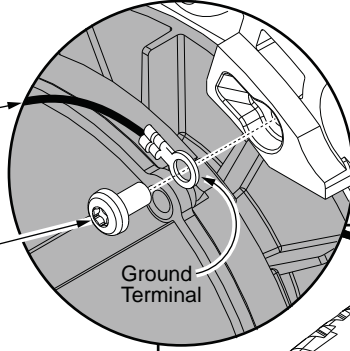
**IMPORTANT!**

Prior to opening the Motor Cage Cover #42, be sure to disconnect the female wire connector (component of #23 High Voltage Wire Assembly) from the male wire connector that comes from the terminal connector block. Remove the high voltage wire from the wire traps to create the slack needed to properly remove the motor cage cover and access the Rotor and Stator. Failure to do so will result in the wire pulling out of the ground terminal.

#23  
23-94-2717  
High Voltage  
Wire Assembly

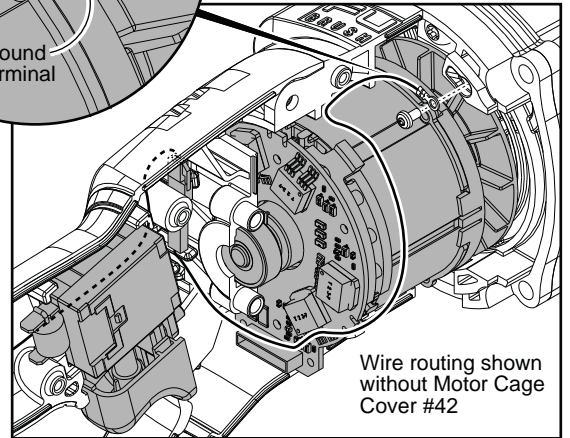
#24  
06-82-0165  
M2.5 x .45  
Taptite Screw

#42  
Motor Cage  
Cover



Ground Terminal

**High Voltage Wire Detail**



Wire routing shown without Motor Cage Cover #42

● = WIRE TRAPS or GUIDES

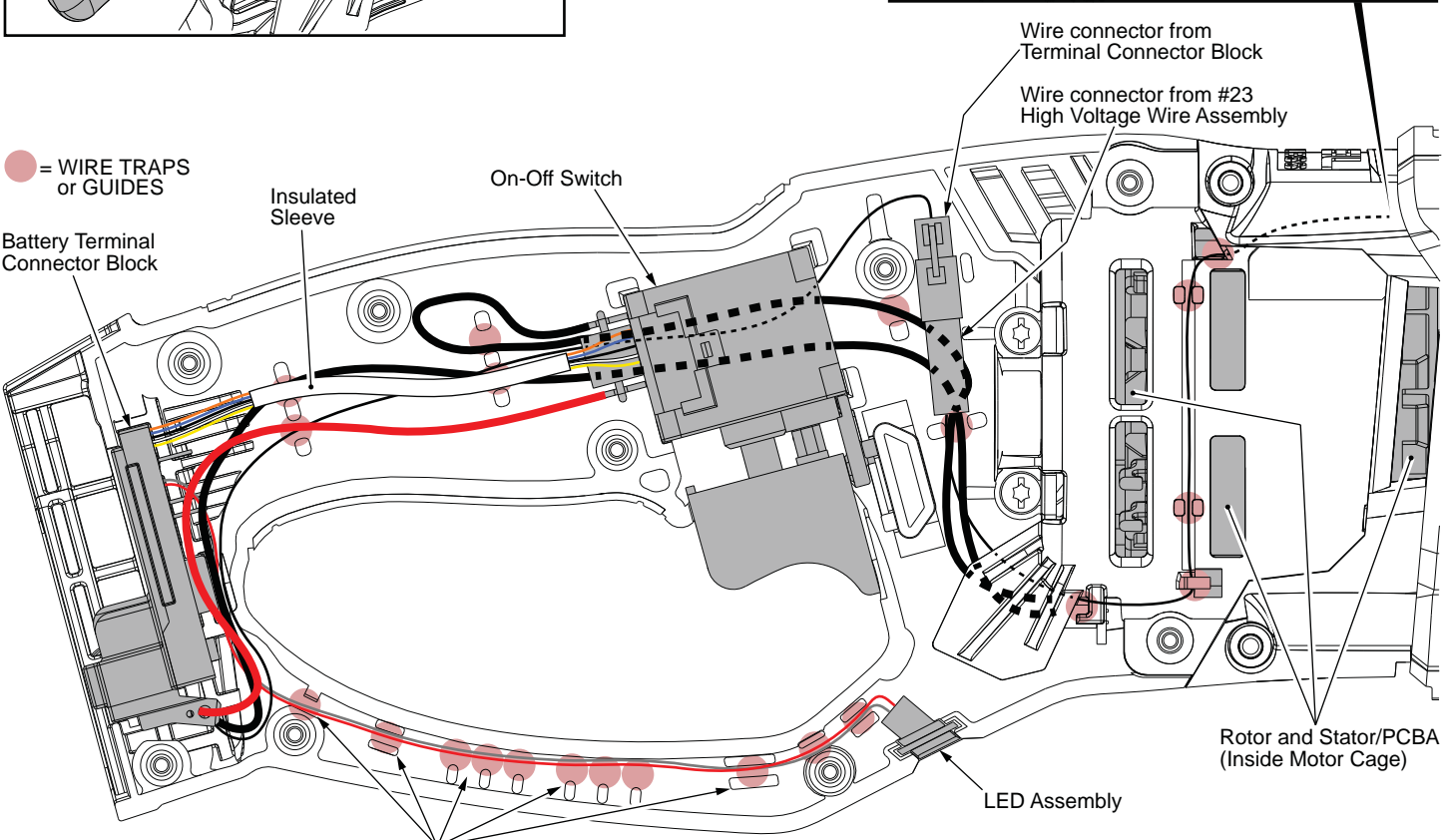
Battery Terminal Connector Block

Insulated Sleeve

On-Off Switch

Wire connector from Terminal Connector Block

Wire connector from #23 High Voltage Wire Assembly



Rotor and Stator/PCBA (Inside Motor Cage)

LED Assembly

16 Wire Ribbon Cable from Terminal Connector Block to the PCBA is not shown for clarity. Ribbon Cable is routed over the LED Assembly wires using the same traps.

**AS AN AID TO REASSEMBLY, TAKE NOTICE OF WIRE ROUTING AND POSITION IN WIRE GUIDES AND TRAPS WHILE DISMANTLING TOOL.**

**BE SURE THAT ALL COMPONENTS OF THE ELECTRONICS KIT ARE SEATED FIRMLY AND SQUARELY IN THE HANDLE RECESSES.**

**AVOID PINCHED WIRES, BE SURE THAT ALL WIRES AND SLEEVES ARE PRESSED COMPLETELY DOWN IN WIRE GUIDES AND TRAPS.**

**PRIOR TO INSTALLING THE HANDLE COVER ONTO THE HANDLE SUPPORT, BE SURE THAT THERE ARE NO INTERFERENCES.**